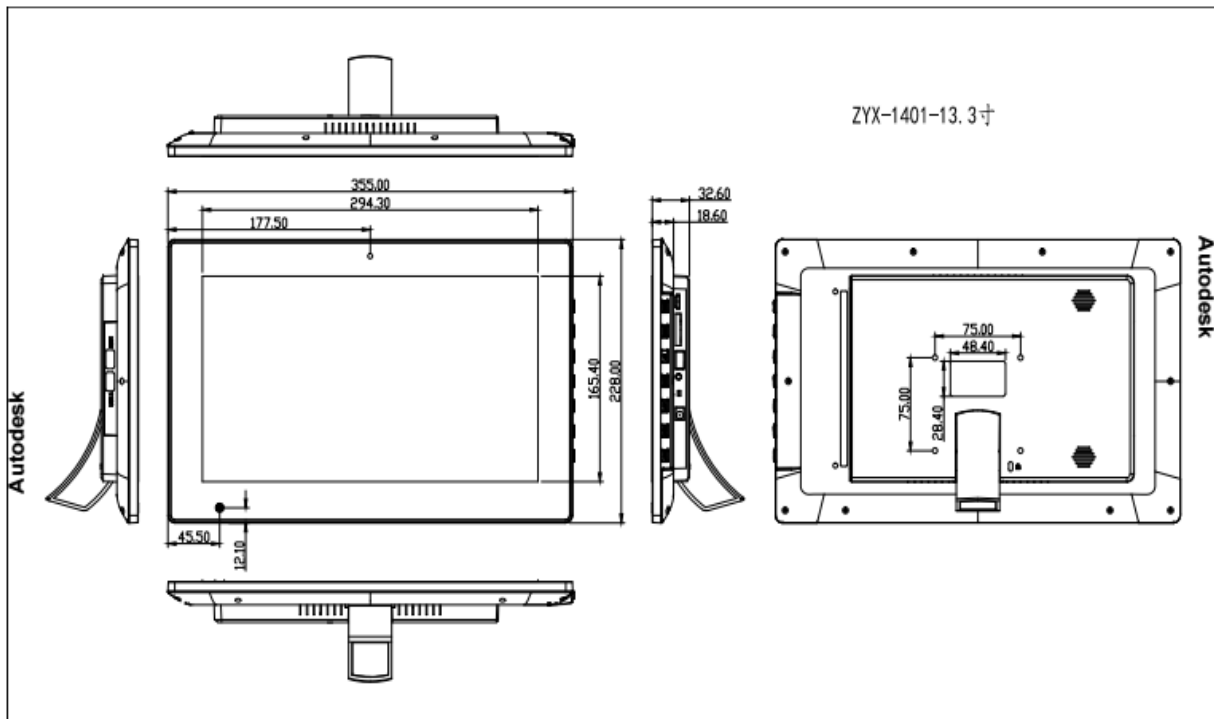


## Model No.: P13KDTAB02TS

### Product Specification

CPU	RK3566,64bit Cortex-A55 + GPU Mail-G52, up to 1.8G
OS	Android 11.0
RAM	DDR3 2G/ (4G optional)
Internal Storage	EMMC 16G (32G/64G Optional), supports NAND FLASH.
Display	Resolution: 1920x1080/13,3"
	Contrast ratio: 500:1
	Luminance: 250cdm2
	Aspect Ratio: 16:9
	Viewing angle: 178x178
Touch panel	10-Points capacitive touch panel
Network Support	RJ45 port, 10/100/1000M Ethernet.
WiFi	Built-in WiFi & supports Wi-Fi 802.11b/g/n/ ac.
BT module,	BT4.1
Image rotation	Support 0°, 90°, 180°, 270° manual / automatic rotation and gravity sensing.
Clock	Built-in battery power supply.
Interface Devices	USB interface camera supports up to 200W pixels.
	USB Host x1, USB OTGx1
	Extended 3 serial ports supports for external devices connected to the module. (NFC module, printer, card reader, etc.)
	TF card, supports up to 32GB.
	HDMI 2.0 output.
Audio	MP3,WMA,WAV, APE, FLAC, AAC, OGG,M4A,3GPP.
Video	Support H.264, MPEG2, VP6, VP8, MVC, 2160P@24FPS. YouTube online video play, up to 1080P, HTML5, Flash10.1.
Picture	Supports JPG, BMP, PNG, etc. automatic rotation.
Power Adapter	Input: DC12V 3A.
Speaker	3Wx2
Language	Multiple languages.

## Dimension:



# Datasheet - *Permaplay*

Photos:

